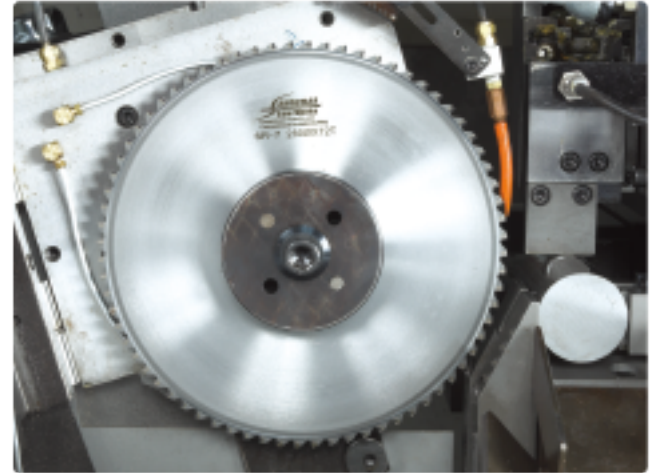
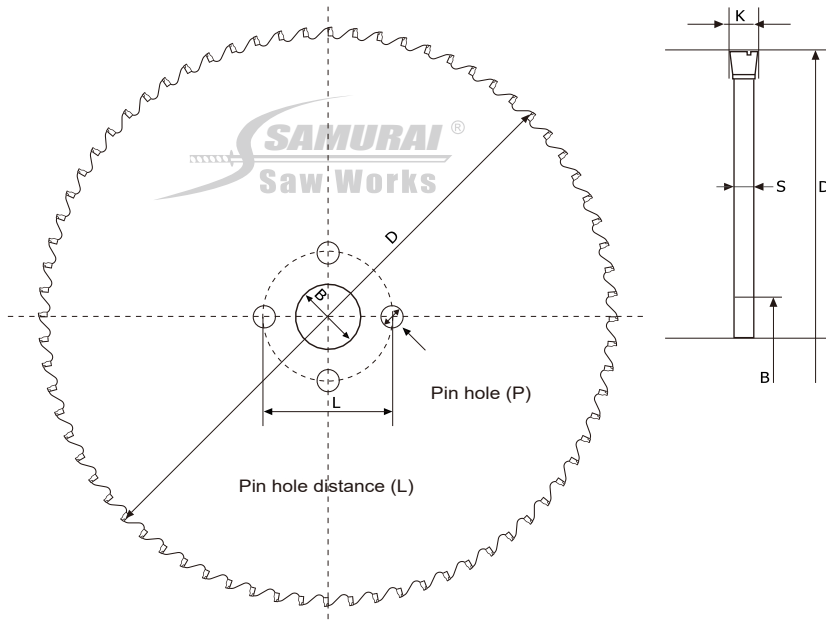
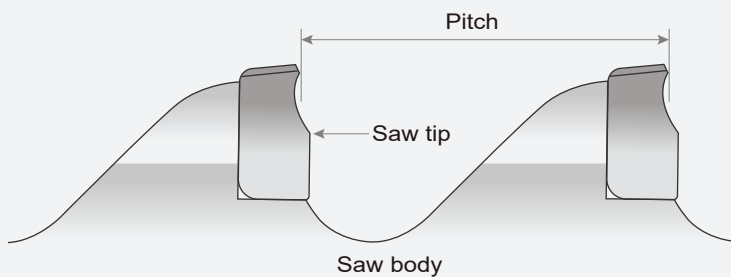
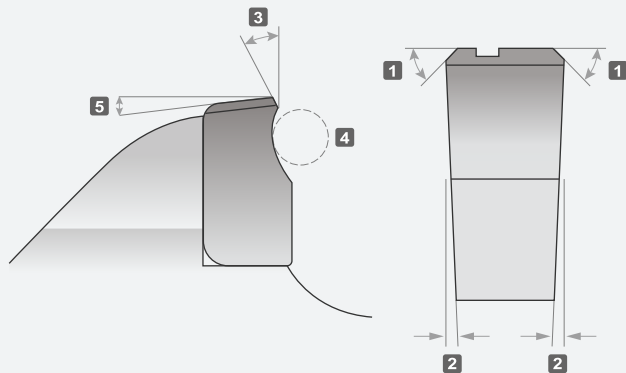


# SR-7 Dragon Claw Design Cold Saw Blade

It has a uniquely designed angle that can be resharping to extend cutting lifespan.



## Technical Note



## Angle Designation

Chamfer angle	<b>1</b>
Radial Clearance angle	<b>2</b>
Negative angle	<b>3</b>
Hook angle	<b>4</b>
Top angle	<b>5</b>

Saw Diameter	<b>D</b>
Bore hole	<b>B</b>
Pin hole Diameter	<b>P</b>
Pin hole Pitch	<b>L</b>
Kerf	<b>K</b>
Saw body thickness	<b>S</b>
Teeth of saw	<b>T</b>